

## Rain shower with wall fixing 300 x 240 mm - Chrome

IMO



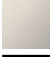




28 765 980



- 450mm projection
- rain shower 300 x 240mm
- PURE RAIN, max. flow rate 20 l/min (at 3 bar)
- Function from: 12 l/min
- rosette 60 x 60 mm
- 1/2" connection
- with anti-scale system
- quick clearing
- WRAS 1707033

Fits: IMO, MEM, CL.1

Product change as of 1st April 2024: max. flow 20l/min

|   |                                   |               |
|---|-----------------------------------|---------------|
|  | Chrome                            | 28 765 980-00 |
|  | Brushed Platinum                  | 28 765 980-06 |
|  | Platinum                          | 28 765 980-08 |
|  | Brushed Durabronze<br>(23kt Gold) | 28 765 980-28 |
|  | Matte Black                       | 28 765 980-33 |
|  | Brushed Chrome                    | 28 765 980-93 |
|  | Brushed Dark<br>Platinum          | 28 765 980-99 |

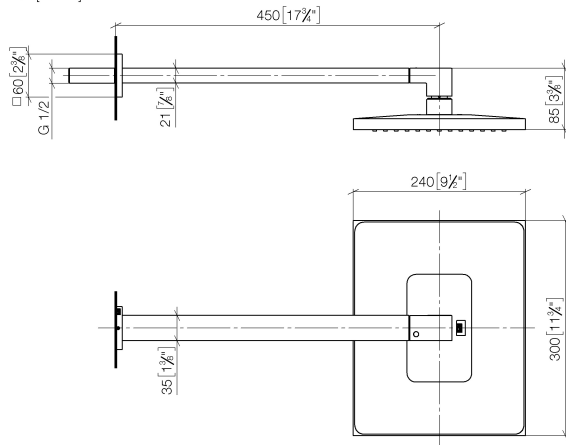
### Recommended miscellaneous



- Concealed wall elbow -** 35 085 970 90
- max. recess depth 163 mm
  - min. recess depth 90 mm

28 765 980

mm [inches]



Flow rate chart



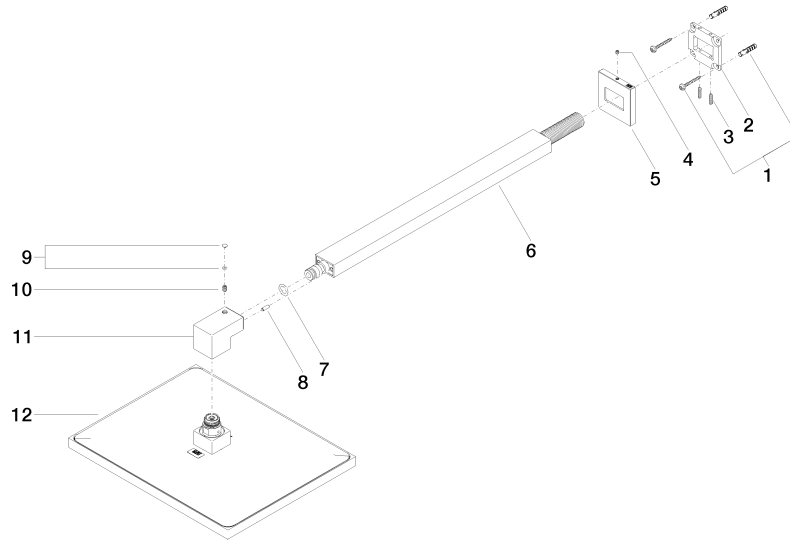
Certificates

LGA\_29229.

WRAS\_2212012.

LGA\_38662.

28 765 980



### Spare parts list

| No. | Item Number        | Name       | Quantity used | Delivery time |
|-----|--------------------|------------|---------------|---------------|
| 1   | 04 30 31 032 00 90 | fixing set | 1             | 2             |
| 2   | 09 30 11 160 90    | disc       | 1             | 2             |
| 3   | 09 31 11 084 90    | pin        | 2             | 2             |
| 4   | 09 31 11 099 90    | pin        | 1             | 2             |
| 5   | 09 27 98 016-00    | rosette    | 1             | 10            |
| 6   | 04 28 22 247 20-00 | pipe       | 1             | 10            |
| 7   | 90 14 10 011 00 90 | seal       | 1             | 2             |
| 8   | 09 31 11 040 90    | pin        | 1             | 2             |
| 9   | 90 31 20 087 00-00 | plug       | 1             | 10            |
| 10  | 09 31 11 036 90    | pin        | 1             | 2             |
| 11  | 09 17 01 180-00    | connection | 1             | 10            |
| 12  | 04 12 05 063 00-00 | shower     | 1             | 10            |